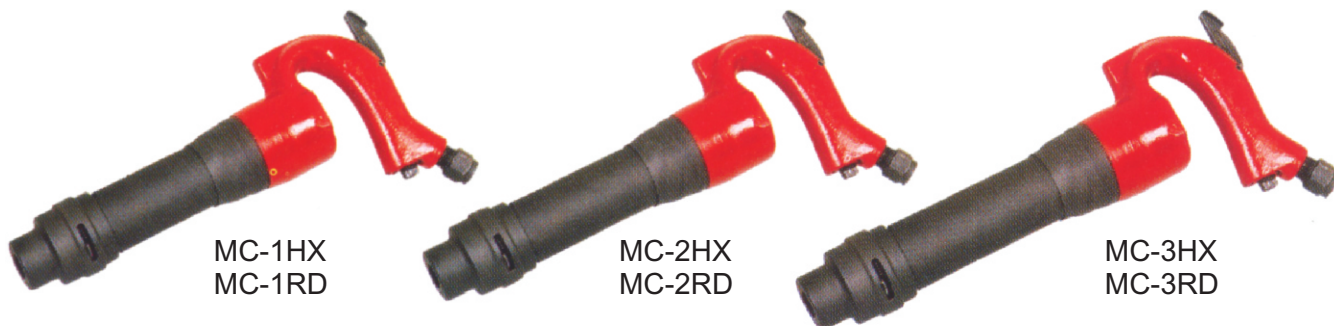


# Light Chipping Hammers



The compact and slim design of our Chipping Hammers makes it highly suitable for digging, chipping, making channels and holes in concrete or any horizontal and upright application. Comes in a variety of sizes combining weight and power for optimum operator comfort and are available with or without retaining mechanisms.



## TECHNICAL DATA

Model	Net Weight (kg)	Overall Length (mm)	Shank Type (inch.)	Type (mm)	Piston dia (mm)	Stroke (mm)	Frequency (bpm)	Air Consumption (m <sup>3</sup> /min)	Hose size (mm)	Retention Type	Air Consumption (m <sup>3</sup> /min)
MC-1 HX	6.3	362	Hex 0.580	14.7 A/F	28.60	25.40	2850	0.75	12.7	Available With or Without Retaining Mechanism	0.75
MC-2 HX	6.7	377	Hex 0.580	14.7 A/F	28.60	50.80	2500	0.83	12.7		0.83
MC-3 HX	7.3	427	Hex 0.580	14.7 A/F	28.60	76.20	2050	0.90	12.7		0.90



**Note :** Also Available in 0.680" (17.27mm) Round Shank but without retaining Mechanism.

## Features



- Forged steel handle for durability
- Superb teasing throttle for control.
- Alloy steel heat treated components.
- Quick and easy chisel retention.
- Replaceable bushings.

## Compatible chisels for shank type 0.580" (14.7mm) Hex



### Compatible Chisels For Shank Type 0.680" (17.27mm) Round

Drawing	Part No.	Overall Length
	EF0200FC	8
Flat Chisel	EF0300FC	12
	EF0200MP	8
Moil Point	EF0300MP	12

### Non-Retaining Mechanism

Drawing	Part No.	Overall Length
	EE0150FC	6
Flat Chisel	EE0200FC	8
	EE0225FC	9
	EE0250FC	10
	EE0300FC	12
	EE0375FC	15
	EE0450FC	18
	EE0600FC	24
EE0750FC	36	
	EE0200MP	8
Moil Point	EE0300MP	12
	EE0450MP	18

### Retaining mechanism

Drawing	Part No.	Overall Length
	Ei0200CP	8
Flat Chisel	Ei0225CP	9
	Ei0300CP	12
	Ei0200MP	8
Moil Point	Ei0225MP	9
	Ei0300MP	12

## Industrial & Mining Tools Co Pvt Ltd

70 B, Lenin Sarani, Kolkata - 700 013, India Tel : +91 33 22444667, 2249 4439  
 Fax : +91 33 2265 7629, E-mail : info@miningtools.com, Website : www.miningtools.com



IKT-0188.07 / ISO 9001: 2000  
 CERTIFIED COMPANY